

RGS Mill Products Corp
P. O. Box 1597
LaPorte, IN. 46350
219-326-5000

CHARGE OPENING DOOR QUESTIONNAIRE

Please fill in the following questionnaire to enable RGS Mill Products to provide you with a budgetary figure and preliminary designs. Please enclose detailed drawings of your existing door.

Company: _____ Please forward a copy of your business card and letterhead with this fax. **Date:** _____

Address: _____

Your Name: _____ **E-mail:** _____

Phone: _____ **Ext:** _____ **Fax:** _____

Furnace type (pusher, walking beam, roller hearth, other): _____

Please enclose a sketch or drawing of existing door construction and type of door hoist mechanism. Thank you.

DESIGN PARAMETERS:

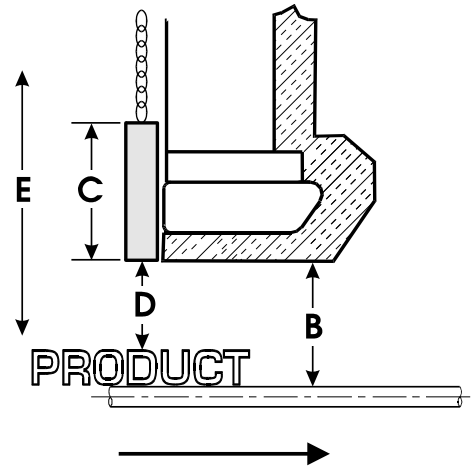
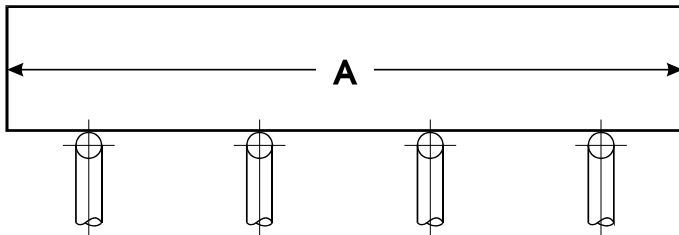
Width between furnace walls (A): _____

Top of skid rail to underside of opening (B): _____

Existing door size (C): _____

Door height above product during operation (D): _____

Door travel (E): _____



Maximum billet/slab: Thickness _____ **in** **Width** _____ **in** **Length:** _____ **in**

Minimum billet/slab: Thickness _____ **in** **Width** _____ **mm** **Length:** _____ **in**

Hours of furnace operation per year: _____ **Type of fuel used:** _____

Combustion rate (BTUs per hour): _____ **Charge zone temperature F:** _____

Corrosive agents present in atmosphere (describe): _____

Fax (219-326-5001) or e-mail (rgsmill@frontier.com) this information to RGS

Thank you.